

YUEMA

NEW

Eco - Friendly Fan / Type H

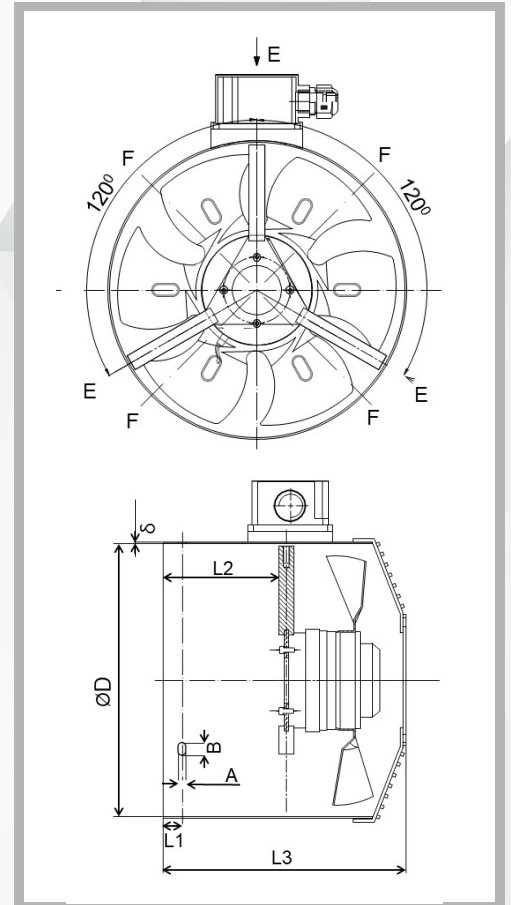
Features :

- Concave cover design allow efficient operation when installed against the wall
- Two pieces body design allows easy maintenance
- Less audible noise



Mounting Dimension

Model	ØD	L1	L2	L3	δ	A	B	n
G - 90H	175	17.0	96	198	1.5	6	10	3
G - 100H	193	19.0	96	196	1.5	7	12	3
G - 112H	217	18.5	100	200	1.5	7	12	3
G - 132H	258	18.5	110	230	1.5	7	12	3
G - 160H	314	20.0	149	297	1.5	7	12	4
G - 180H	352	35.0	190	327	1.5	7	12	4
G - 200H	393	40.0	190	330	1.5	9	15	4
G - 225H	443	45.0	220	409	2.0	9	15	4
G - 250H	482	55.0	240	417	2.0	9	15	4
G - 280H	546	65.0	280	443	2.0	11	20	4
G - 315H	614	75.0	310	515	2.0	11	25	4



Technical Data

Model	Frame Size	Voltage (V)	Frequency (Hz)	Power (W)	Current (A)	Speed (rpm)	Air Flow (m ³ /h)	Air Pressure (Pa)	Noise (db(A))	Protection (IP)
G - 90H	72-18	380	50	55	0.15	2650	91	80	63	55
G - 100H	92-15	380	50	65	0.15	2750	142	80	67	55
G - 112H	92-15	380	50	80	0.15	2550	229	80	67	55
G - 132H	92-24	380	50	55	0.23	1430	337	35	69	55
G - 160H	92-32	380	50	60	0.28	1400	609	40	72	55
G - 180H	92-32	380	50	85	0.28	1350	686	55	72	55
G - 200H	92-32	380	50	110	0.28	1200	1679	65	72	55
G - 225H	102-48	380	50	170	0.40	1450	1785	70	74	55
G - 250H	102-55	380	50	200	0.60	1400	1813	80	75	55
G - 280H	102-55	380	50	270	0.60	1350	2415	85	78	55
G - 315H	138-50	380	50	520	1.05	1300	2820	110	81	55

Special Customized Fans available upon request

YUEMA

Fan / Type B

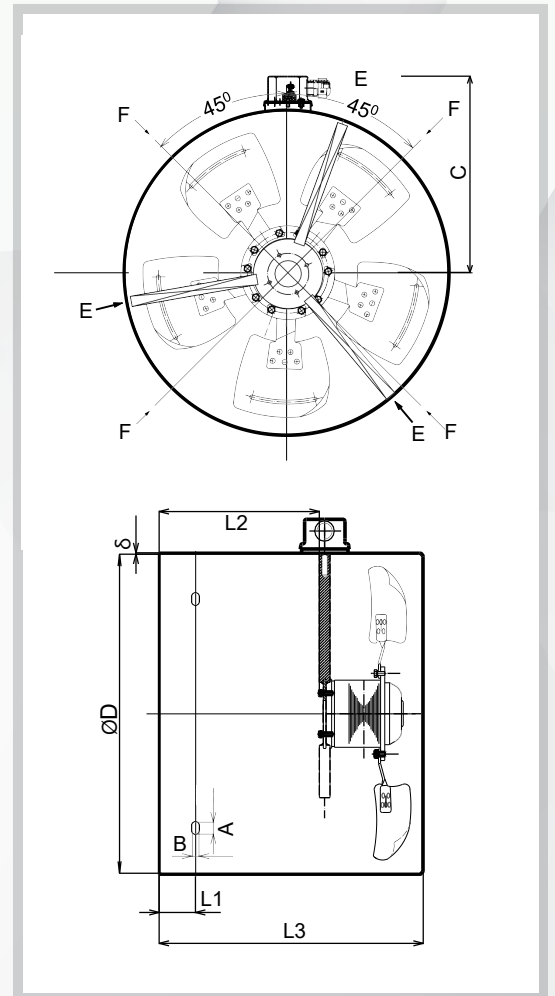
Features :

- Top terminal position
- Encoder suitable
- Large installation space
- Increase fan surface area



Mounting Dimension

Model	ØD	L1	L2	L3	δ	A	B	n	C
G - 63B	121	10.0	48	138	1.2	12	6	3	115
G - 71B	138	13.0	60	150	1.2	12	6	3	120
G - 80B	154	16.5	85	175	1.2	12	6	3	130
G - 90B	173	17.0	96	188	1.2	12	6	3	140
G - 100B	195	19.0	96	196	1.2	14	7	3	151
G - 112B	219	18.5	100	200	1.2	14	7	3	163
G - 132B	256	18.5	110	217	1.2	14	7	3	182
G - 160B	311	20.0	149	277	1.5	14	7	4	210
G - 180B	352	35.0	190	312	1.5	14	7	4	231
G - 200B	393	40.0	190	314	1.5	17	9	4	252
G - 225B	443	45.0	220	374	2.0	17	9	4	276
G - 250B	482	55.0	240	402	2.0	17	9	4	296
G - 280B	546	65.0	265	429	2.0	25	11	4	362
G - 315B	614	75.0	310	515	2.0	25	11	4	398
G - 355B	694	82.0	380	595	2.5	25	13	4	437
G - 400B	786	120.0	510	785	3.0	25	13	4	485



Technical Data

Model	Frame Size	Voltage (V)	Frequency (Hz)	Power (W)	Current (A)	Speed (rpm)	Air Flow (m ³ /h)	Air Pressure (Pa)	Noise (db(A))	Protection (IP)
G - 63B	68-13	380	50	25	0.09	2800	45	40	62	55
G - 71B	68-13	380	50	35	0.09	2850	52	50	62	55
G - 80B	68-13	380	50	45	0.09	2650	58	60	62	55
G - 90B	68-13	380	50	45	0.09	2600	91	80	65	55
G - 100B	92-24	380	50	65	0.18	2750	142	80	67	55
G - 112B	92-24	380	50	80	0.18	2550	229	80	67	55
G - 132B	92-24	380	50	55	0.23	1430	337	35	69	55
G - 160B	92-32	380	50	60	0.28	1400	609	40	72	55
G - 180B	92-32	380	50	85	0.28	1350	686	55	72	55
G - 200B	92-32	380	50	110	0.28	1200	1679	65	72	55
G - 225B	102-48	380	50	170	0.40	1450	1786	70	74	55
G - 250B	102-55	380	50	200	0.60	1400	1813	80	75	55
G - 280B	102-55	380	50	270	0.60	1350	2415	85	78	55
G - 315B	0.37-4	380	50	450	1.12	1350	5200	110	81	55
G - 355B	0.55-4	380	50	700	2.05	1350	6200	150	85	55
G - 400B	1.1-4	380	50	1100	3.10	1350	6500	150	90	55

Special Customized Fans available upon request